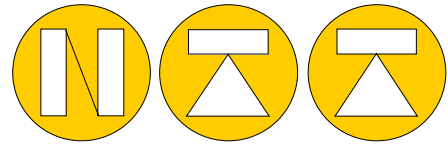


2004

Pressure Transducers Type TP7DN

TP7DN/409 REV.02.11.04/PM70



NORDIC TRANSDUCER



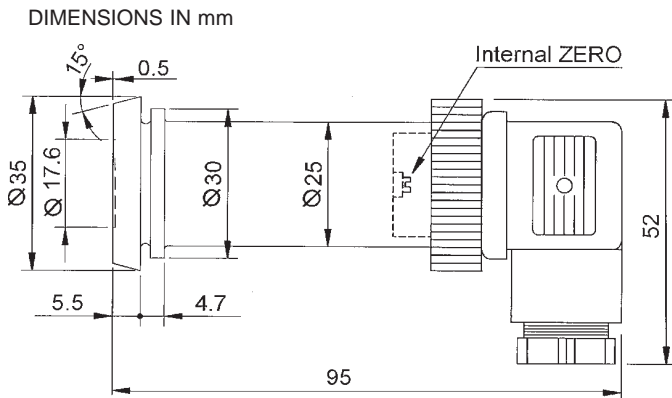
FOR PROCESS COUPLING DN 20

RELATIVE FROM 0.5 ... 50 BAR

**ELECTROMAGNETIC COMPATIBILITY TEST
REFERENCES NORMS:**

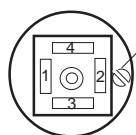
EN50081-1 AND EN50082-1

Accuracy < +/- 0.25%



SPECIFICATIONS:

TEMPERATURE EFFECT PER 10°C		
a) on zero		< ±0.015%
b) on sensitivity		< ±0.015%
NOMINAL SENSITIVITY		
(2 wires)	4..20mA	
(3 wires)	4..20mA, 0.5V, 0...10V	
SUPPLY VOLTAGE (10V = 15-24V)		12-24V
SUPPLY VOLTAGE Max.		28V
MAX. Electrical input:	2wire 20mA, 3wire 30mA	
LOAD RESISTOR:		
a) tension		min. 2k ohm
b) current		from 0 to 470 ohm
INSULATION RESISTOR		10 Gohm
ZERO BALANCING		± 10% adj.
RESPONSE FREQUENCY 0.5kHz		
MECHANICAL LIMIT VALUES RELATED TO NOMINAL PRESSURE		
a) service pressure		100%
b) max. permissible pressure		150%
c) breaking pressure		>300%
d) high dynamic pressure		75%
REFERENCE TEMPERATURE		+23°C
SERVICE TEMPERATURE		-10 to +70°C
STORAGE TEMPERATURE		-20 to +80°C
CONNECTIONS		
2 WIRE	1 SUPPLY+ 2 OUT -- 3 Not connected 4 EARTH/Shield *	
3 WIRE	1 SUPPLY+ 2 0 VOLT/SIGNAL- 3 OUT/SIGNAL + 4 EARTH/Shield *	



* SHIELD connected to pressure transducer.

The sensitive part of these pressure transducers is manufactured from 17-4 pH tensile steel with very good mechanical parameters both for dynamic stresses, chemical and metallographic analysis. The monolithic execution being free from any assembling with seal rings, joints and weldings, guarantees high stability to the measuring element with hysteresis and zero drift negligible in the long run. The end of the transducer is resin capsulated and wholly micro-plasma welded, to guarantee top sealing and make it insensitive against any sort of vibration.

LINEARITY & HYSTERESIS < ±0.25%

RELATIVE PRESSURE (R)
0.5 - 1 - 2.5 - 5 - 10 - 20 - 50 bar

STANDARD PROCESS COUPLING
UNION ADVISED: DIN 11851 (DN20)
PROTECTION CLASS (DIN 40050) IP65
SENSOR MATERIAL INOX 17-4pH
ELECTRICAL CONNECTION PVC cable 3m

OPTIONS:
VACUUM (V) RANGE: -1/+1, -1/+2.5, -1/+5 bar

1 BAR = 14.695 PSI



Nordic Transducer

Als Odde, DK-9560 Hadsund Denmark
Tel.: +45 98581444, Fax.: +45 98581866
E-mail: transducer@ntt.dk WEB: www.ntt.dk