

TP20

Low range High accuracy
Pressure Transducer

Pressure transmitters belonging to TP20 series distinguish themselves for high precision, stability and long-term reliability of metrological features.

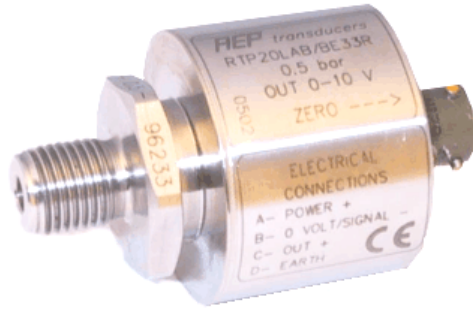
Main applications are found in industrial and automation fields, but, in particular, they are used as **transfer sample** or **first line samples** in metrological, research and development laboratories.

The sensitive part, in contact with pressure, is entirely made of 17-4 PH corrosion-proof stainless steel.

High vacuum thermal treatments which stainless steel is subjected to, ensure the correct functioning even when highly dynamic stresses are involved. Monolithic execution of measuring element, without any assembling via tight rings or gaskets, guarantees a high long-term stability, with negligible hysteresis and zero drift. Pressure is internally detected by a full bridge strain gauge, which assures the maintenance of performances even in presence of peaks.

Every pressure transmitter is entirely LASER welded and completely resin-encapsulated, to ensure insensitivity and a high degree of hermetic tight.

During production cycle, pressure transmitters are thermally compensated, tested and individually calibrated with the use of completely automated stations that analyse and record data.



CE

$\leq \pm 0.05\%$

Linearity - Hysteresis



For highly dynamic stresses

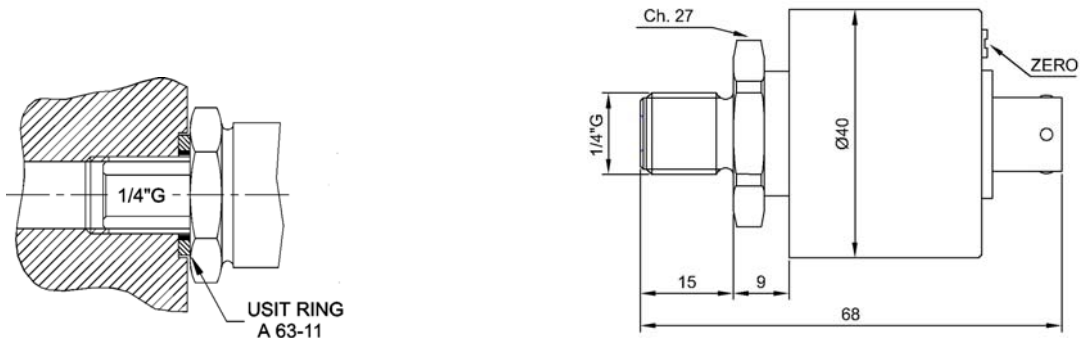


SIT certificate on request.

Dimensions mm



Typical installation



Technical Data



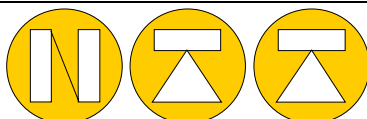
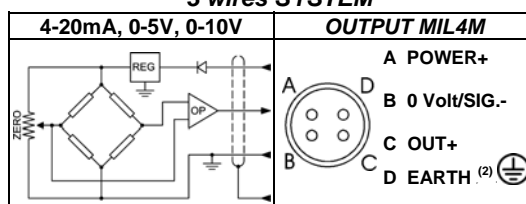
	RELATIVE PRESSURE (R)	0.5 - 1 - 2.5 - 5 - 10 - 20 bar
	LINEARITY and HYSTERESIS	≤ ± 0.05 %
	TEMPERATURE EFFECT (1°C)	
	a) on zero	≤ ± 0.005%
	b) on sensitivity	≤ ± 0.005%
	NOMINAL SENSITIVITY	4-20mA (3 wires) 0-5 V, 0-10 V
	CALIBRATION TOLERANCE	≤ ± 0.1%
	NOMINAL POWER SUPPLY	4-20mA and 0-5V → 12-24Vdc 0-10V → 15-24Vdc
	MAX. POWER SUPPLY	28Vdc
	MAX. ABSORPTION:	
	a) 3 wires	30mA
	LOADING RESISTANCE:	
	a) tension	min. 3KΩ
	b) current	from 0 to 470Ω
	INSULATION RESISTANCE	>2 GΩ
	ZERO BALANCE	± 10% ADJ.
	RESPONSE FREQUENCY	from 2.5 to 5 kHz
	LIMIT MECHANICAL VALUES REFERRED TO NOMINAL PRESSURE :	
	a) service pressure	100%
	b) max. permissible pressure	150%
	c) breaking pressure	>300%
	d) highly dynamic pressure	75%
	REFERENCE TEMPERATURE	+23°C
	WORKING TEMPERATURE RANGE	-10/+70°C
	STORAGE TEMPERATURE RANGE	-20/+80°C
	PROCESS COUPLING	1/4" Gas Maschio / BSP Male
	TIGHTENING WRENCH	27 mm
	TIGHTENING TORQUE	28 Nm
	PROTECTION CLASS (EN 60529)	IP65
	SENSOR EXECUTION MATERIAL	INOX 17-4 PH
	ELECTRICAL CONNECTION	MIL4M Connector with 5 meter cable

OPTIONS

VACUUM (V) range	(-1/0) (-1/+1) (-1/+2.5) (-1/+5) bar
------------------	--------------------------------------

ELECTRICAL CONNECTIONS

3 wires SYSTEM



NORDIC TRANSDUCER

Als Odde DK-98560 Hadsund Denmark Tel. +45 98581444 Fax. +45 98581866

E-mail: transducer@ntt.dk Internet: <http://www.ntt.dk>



Dasa-Rægister
EN ISO 9001 (2000)
IQ-1100-01

Distributor: