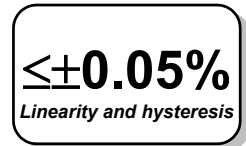
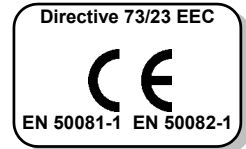


DIGITAL PRESSURE GAUGE



PRESSURE ⇒ **TEST**



Lab-DMM is a microprocessor digital pressure gauge of new generation, its advanced analog section ensures a very high **long-term stability**, and its converter A/D with 16 bits guarantee 65.000 internal divisions. This feature, together with the **0,05% accuracy class**, make it an ideal laboratory instrument: the Lab-DMM is specifically proposed as First Line Sampling for Metrological Laboratories, and it's delivered together with the **SIT certificate**.

The pressure gauge has internal batteries with 1 year autonomy, which is also guaranteed by the **AUTO-POWER-OFF** function, that turns off the pressure gauge if no pressure variation is detected within 30 minutes.

The user can select different engineering units (bar, mPa, kPa, psi), and can program different resolutions and digital filter according to the application.

In order to increase the integration level of the components, a combined traditional and SMT technology has been applied; which makes the pressure gauge more resistant against mechanical stresses and vibrations and ensures the maximum reliability of the electronic circuit.

The display do also show an analog indication bar of pressure always active even in the program-menu.

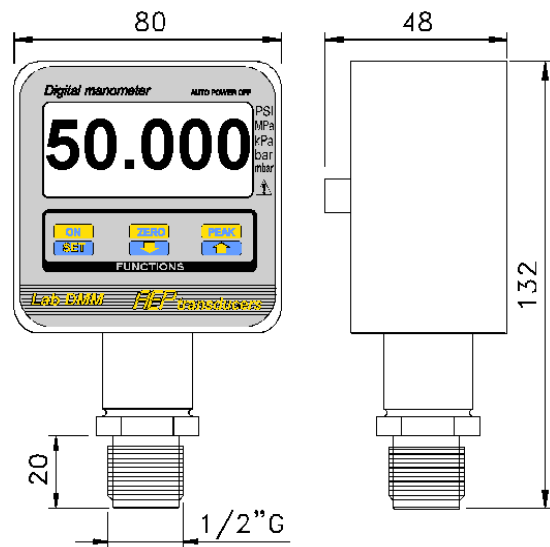
Accessories:

- Manual Pump Pressure Generator for compared calibrations.
- Software Utility for data acquisition and processing errors
- and print certificate with SIT reference.

Principal performances:


- ✓ 1 YEAR AUTONOMY WITHOUT RECHARGE
- ✓ PROGRAMMABLE RESOLUTION
- ✓ DIGITAL FILTER
- ✓ PROGRAMMABLE MEASURE UNIT
- ✓ PEAK FUNCTION (positive and negative)
- ✓ RS232 OUTPUT (optional)

DIMENSIONS mm



TECHNICAL DATA

Lab-DMM

	RELATIVE PRESSURE (R)	1 - 2.5 - 5 - 10 - 20 bar 50 - 100 - 250 - 350 - 500 - 700 bar 1000 - 1500 - 2000 bar
	LINEARITY and HYSTERESIS	≤ ± 0.05 % F.S.
	TEMPERATURE EFFECT 10°C a) on zero b) on sensitivity	≤ ± 0.015% ≤ ± 0.005%
	POWER SUPPLY AUTONOMY ALKALINE BATTERIES	BATTERIE / BATTERY 1 ANNO / YEAR n°4 to 1,5V size AA
	INTERNAL RESOLUTION PROGRAMMABLE MEASURING UNITS PROGRAMMABLE RESOLUTION PROGRAMMABLE BAUD RATE ZERO FUNCTION PEAK FUNCTION	65.000 div. *mbar, bar, MPa, kPa, psi 1, 2, 5, 10 16200, 9600, 4800 10% positive and negative
	READING PER SEC. (0 filter) DISPLAY	10 (100ms) custom LCD (H=16mm)
	MECHANICAL LIMIT VALUES RELATED TO NOMINAL PRESSURE : a) service pressure b) max. permissible pressure c) breaking pressure d) high dynamic pressure	100% 150% >300% 75%
	REFERENCE TEMPERATURE SERVICE TEMPERATURE RANGE STORAGE TEMPERATURE	+23°C 0/+50°C -10/+60°C
	STANDARD PROCESS COUPLING GASKET ADVISED TIGHTENING WRENCH TIGHTENING TORQUE PROTECTION CLASS (DIN 40050) MATERIAL OF THE SENSOR MATERIAL OF THE HOUSING ELECTRICAL CONNECTION (RS232C)	1/2" Gas MASCHIO / BSP MALE USIT A 63-18 27mm 28Nm IP60 INOX 17-4 pH ALLUMINIO / ALLUMINIUM tank SUB D 9 pole FEMALE

Other measuring units on request.

OPTIONAL

SERIAL OUTPUT	RS232C
VACUUM (V) range	(-1/+1) (-1/+2.5) (-1/+5) bar



GPM-500: Ideal for relative calibrations directly in field.

- Range from 0 to 500-700 bar.
- Dimensions 230 x 180 x 40.
 - Weight 4,5 kg.
- In aluminium alloy and stainless steel.
- Rotary connections with or.
 - Filled with oil.
- Fast venting system.
- On board tank.

In order to improve the technical performances of the product, the company reserves the right to make modifications without notice.
LabDMM is produced by AEP transducers for NORDIC TRANSDUCER

