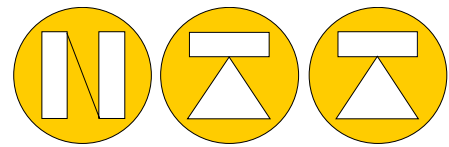


## WIRE Position TRANSDUCER

**HPS-S** 0-200mm, 0-500mm & 0-1m measuring length



## NORDIC TRANSDUCER

**HPS-S** Wire-length position transducer. This type of length transducer are getting more and more popular for usage at industrial measuring jobs at length up to 1000mm .

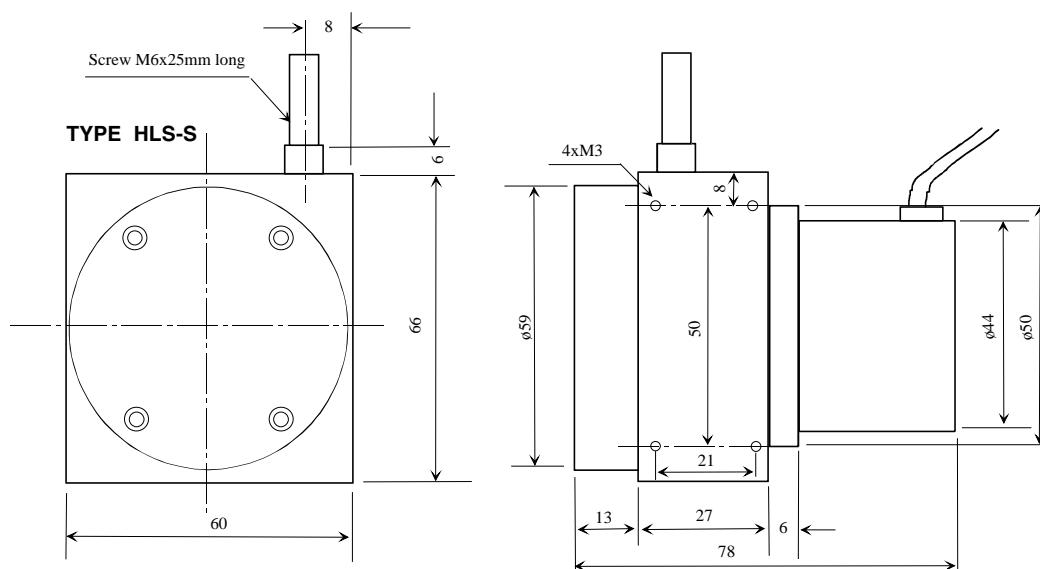
It is easy to mount, do not require any kind of special guide or lining up, the wire must just go straight out of the guide, It is very interesting prices compared with other systems, robust and reliable.

**HPS-S** is equipped with a Nylon coated stainless steel wire ( or complete nylon wire) which inside the housing is laid side by side on a spool by means of 2 smaller supporting rollers, this give a minimum of ware on the wire + present it straight in front of the outlet all the time.

**HPS-S** is only delivered with the best accuracy potentiometer on +/-0,1% F.S., typical life time for this is  $5 \times 10^6$  cycles.

### HPS-Small model

<b>Type</b>	<b>HPS-S</b>	
length	200mm, 500mm &	1000mm
Power rating Watt:	1	2
Voltage divider / potentiometer	standard as 5 kOhm +/- 1%	
Linearity:	+/-0,1% F.S.	
Supply voltage:	Max.30V-recomend. 5-10V for 5 kOhm (se Watt rating)	
Wire Velocity:	Max. 500 mm/sec, come and go	
Force on wire:	600g max.	
Vibration:	10Hz to 2000Hz, 10g	
Wire:	A: 304 Nylon coated stainless Steel, Ø0,6mm	
	B: Complete nylon wire ø0.6mm	
	breaking force for both; 16kg	
Temperature range:	-0°C to +50°C / RH 35..90%	
Protection degree:	IP50 for encoder part	
Connection:	4m cable 3wire or 0,5m with connector	
Weight:	0.4kg	



Nordic Transducer Als Oddevej 85 DK-9560 Hadsund Danmark

Tlf. +45 98 58 14 44 fax. +45 98 58 18 66 e-mail: [transducer@ntt.dk](mailto:transducer@ntt.dk) WEB: [www.ntt.dk](http://www.ntt.dk)