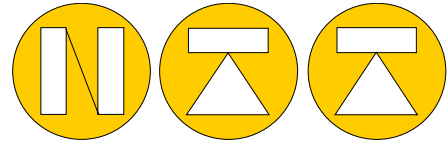


Wire position measuring from 0-3m to 0-8m



NORDIC TRANSDUCER

HPS-L Wire Position transducer

HPS-L Wire-length transducer.

This type of length transducer are getting more and more popular for usage at industrial measuring jobs at length from 500mm and up. It is easy to mount, do not require any kind of special guide or lining up, the wire must just go straight out of the guide, It is very interesting prices compared with other systems, robust and reliable.

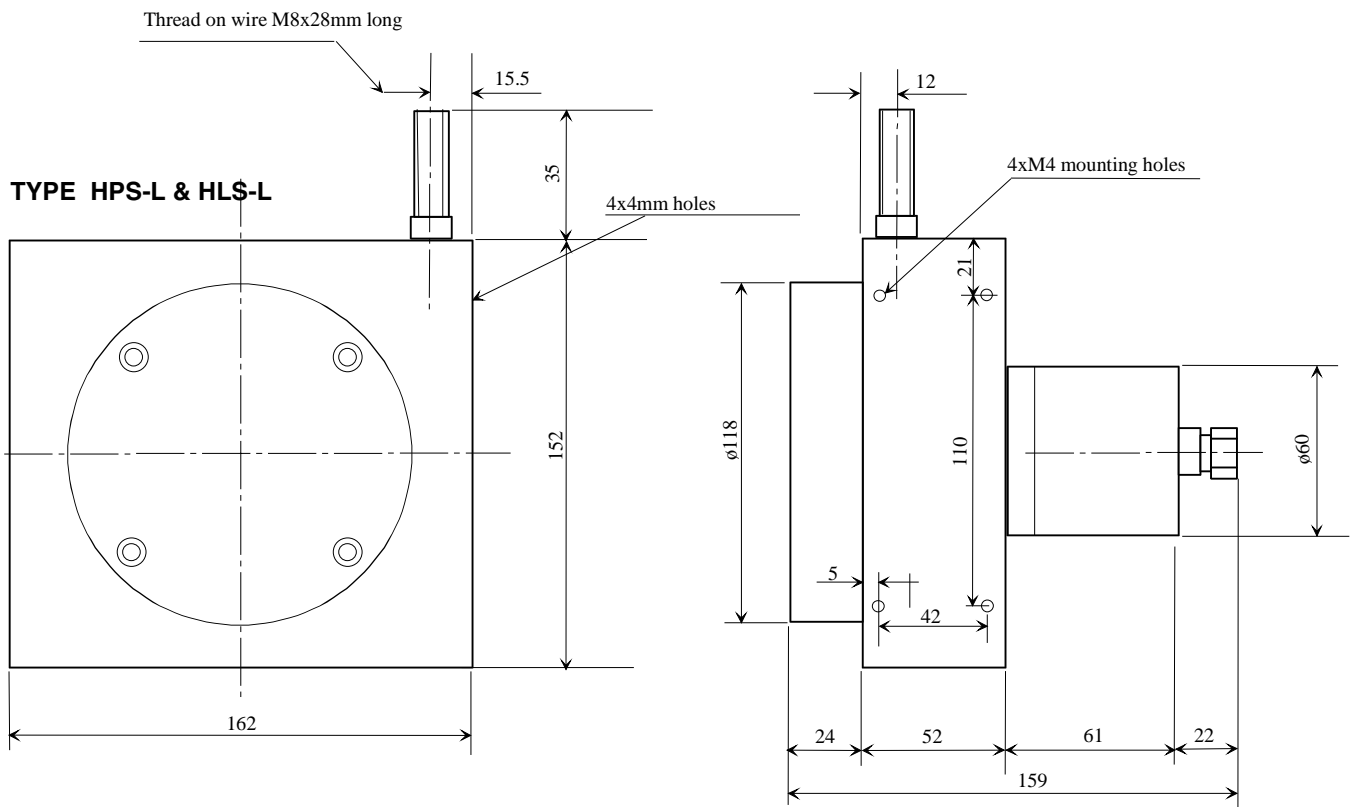
HPS-L is equipped with a Nylon coated stainless steel wire, which inside the housing is laid side by side on a spool by means of 3 smaller supporting rollers, this give a minimum of ware on the wire + present it straight in front of the outlet all the time.

HPS-L are only delivered with the best accuracy on +/-0,1% F.S. Repeatability is 0.02% F.S.

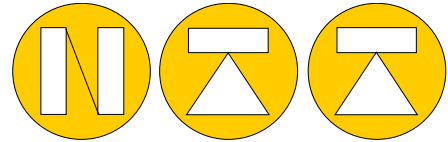


Dimensions in mm

0.5m cable with connectors as standard supply



Wire position measuring from 0-3m to 0-8m



NORDIC TRANSDUCER

HPS-L Wire Position transducer



0-5V
0-10V
4-20mA
5k Ohm

Type	HPS-L
length:	3000, 4000, 5000, 6000, 7000, 8000 mm
Power rating Watt:	2
Voltage divider / potentiometer	standard as 5 kOhm +/- 1%
Linearity:	500-750mm +/-0,2% F.S. 1m - 3m +/-0,1% F.S.
Repeatability:	+/-0.02% F.S.
Supply voltage:	Max.28V-recomend. 5-10V for 5 kOhm (se Watt rating)
HPS-L-5V	0-5V output, with supply voltage 10-30VDC
HPS-L-10V	0-10V output, with supply voltage 15-30VDC
HPS-L-420	4-20mA output, supply voltage15-24VDC
Wire Velocity:	Max. 600 mm/sec (come and go)
Vibration:	10 Hz to 2000Hz, 10g
Force on wire:	< 2200 g starting torque on spring
Wire:	304 Nylon coated stainless Steel, Ø1mm; breaking 17kg
Temperature range:	-0°C to +50°C / RH 35..90%
Protection degree:	IP64 for pot. housing part
Weight:	3.5kg