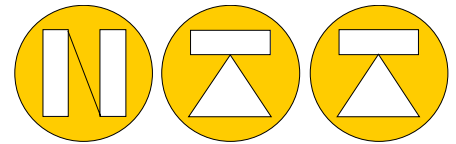


INCREMENTAL WIRE

POSITION TRANSDUCER

SMALL SIZE: **TYPE HLS-S**

3 ranges 0-0,2m, 0-0,5m - 0-1m



NORDIC TRANSDUCER



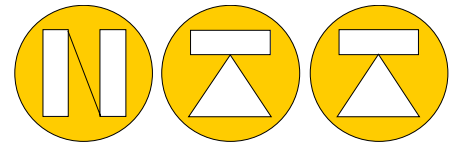
The perfect solution for length / speed measurements of products up to 1m, where relative good accuracy can be achieved at an affordable price. Very easy to mount also where space at measuring end are limited.

Other types for measuring up to 40m, please ask !. Instrumentation can also be a part of the supply for direct/relative indication, also with RS232 output and standard relays for controlling set-points.

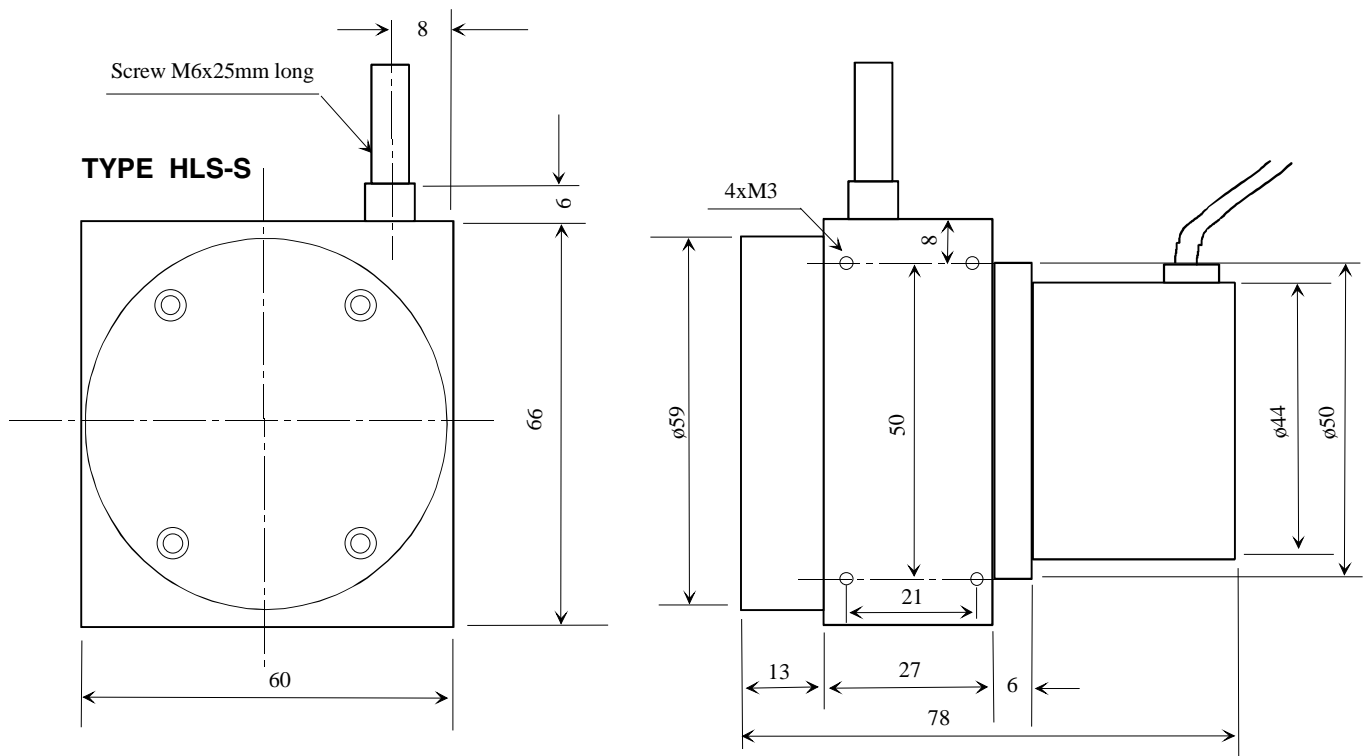
Type	HLS-Small Size
Length:	200, 500, 1000 mm
Resolution:	1 0,5 0,2 0,1 0,04 mm direct !
Pulses per mm:	1 2 5 10 25 (for A&B = X 2)
Typical accuracy:	+/-0,05% FS.
Max. response:	10kHz - 50kHz
Power Supply:	8..26VDC, less than 60mA / DC5V (option)
Output type:	A&B Phase / square pulses / (Z as option) NPN Volt standard / Open collector & 5V line drive (options)
Speed	Max. 1000mm/sec.
Force on wire	400gram as max. starting torque
Vibration:	10g (10+/- 1500 Hz)
Wire type:	A: 304 stainless steel coated, Ø0,6mm B: Ø0.6mm Nylon wire breaking force for both types =16kg
Shock:	20g per 11ms
Temp. Range	0°C to +60°C
Protection degree	IP50
Electrical connection:	0.5m cable with connector and mating part
Weight	approx. 0,330kg + supply lead

TYPE HLS-S

Dimensions



NORDIC TRANSDUCER



HLS-S standard with connectors

HLS-M 2m to 4m



HLS-L 6m to 12m



CM78 BROCHURE



CM78 is standard supplied with 2 set point/ relays and input for zero setting all over the working range. Absolute and relative indication can also be done via the front keys.

Indication is max. 6 digit (5 with front sign)

Speed can be more than 10kHz

Many options are available as RS232/485 communication as one of them.

