

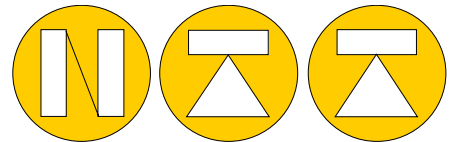
NORDIC TRANSDUCER

**INCREMENTAL WIRE
POSITION TRANSDUCER**
Long SIZE: **TYPE HLS-L**
Ranges 6m, 8, 10m, 12m

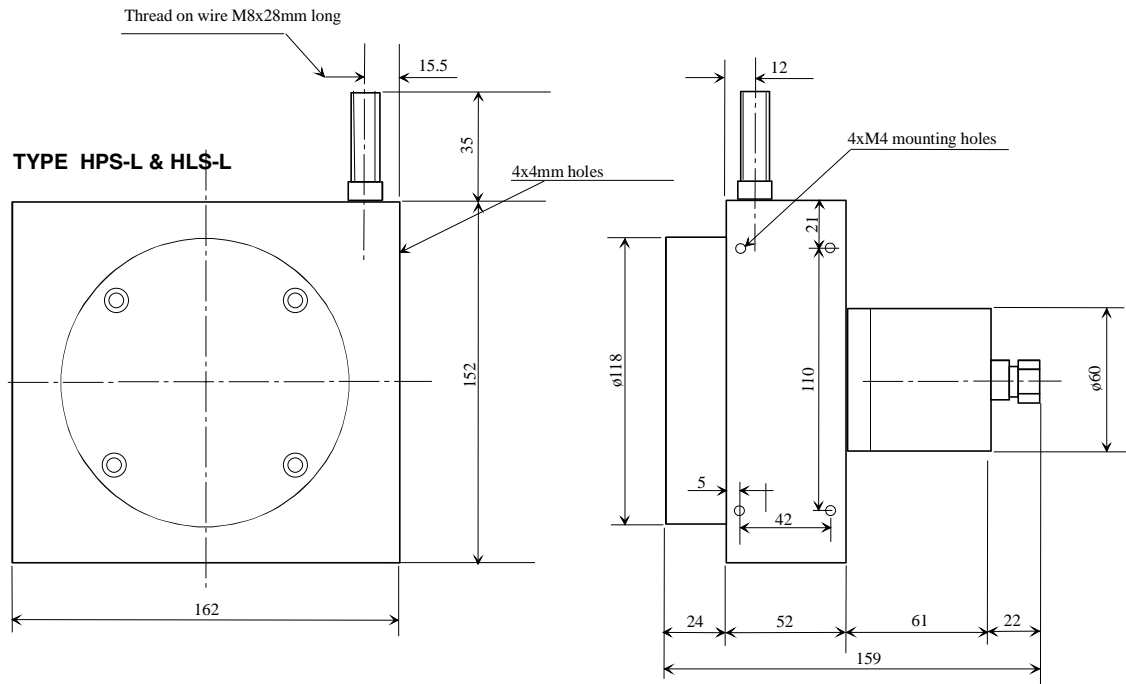
The perfect solution for length / speed measurements of products up to 12m, where relative good accuracy can be achieved at an affordable price. Very easy to mount also where space at measuring end are limited. Other types for measuring up to 40m, please ask !. Instrumentation can also be a part of the supply for direct/relative indication, also with RS232 output and standard relays for controlling set-points.

Type	HLS-L Long Size wire position Transducer
Length in mm:	6000 - 8000 - 10000 12000mm
Resolution:	1 0,5 mm direct !
Pulses per mm:	1 2 (for A&B = X 2)
Typical accuracy:	+/-0,05% FS.
Max. response:	10kHz - 50kHz
Power Supply:	8..26VDC, less than 60mA / DC5V (option)
Output type:	A&B Phase / square pulses / (Z as option) NPN Volt standard / Open collector & 5V line drive (options)
Speed	Max. 1000mm/sec.
Force on wire	>2500gram as max. starting torque
Vibration:	10g (10+/- 1500 Hz)
Wire type:	304 stainless steel coated, Ø1.0mm breaking force 60kg
Shock:	20g per 11ms
Temp. Range	0°C to +60°C
Protection degree	IP50
Electrical connection:	0.5m cable with connector and mating part
Weight	approx. 3.50kg + supply lead

DIMENSIONS HLS-L



NORDIC TRANSDUCER



HLS-S 0.2m to 1m



HLS-M 2m to 4m



CM78 BROCHURE



CM78 is standard supplied with 2 set point/ relays and input for zero setting all over the working range. Absolute and relative indication can also be done via the front keys.

Indication is max. 6 digit (5 with front sign)

Speed can be more than 10kHz

Many options are available as RS232/485 communication as one of them.

