

# DME Evolution

Digital pressure gauge

DME digital manometer consists of both a pressure transducer and a microprocessor interface which allows both the pressure monitoring in real time and the handling of 2 programmable set points with a relay output.

Its housing, executed in (ABS) shockproof material, is suitable both for being mounted in a panel or in a board back part through adjustable locks.

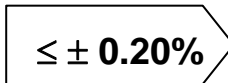
Strain gauges pressure transducer, entirely executed in stainless steel (17-4ph), has been designed to work also in presence of highly dynamic pressures, granting a long-term high stability.

The main Menu allows the operator to set digitally different parameters such as : ZERO, PEAK, FILTER, RESOLUTION, SET POINT to fit at best the instrument to the plant which has to be controlled.

These digital devices can be used in different industrial sectors (pneumatic, hydraulic) such as gauges and level or pressure controllers with min and max threshold.

**Main features :**

- IDEAL FOR BEING MOUNTED IN A PANEL
- 2 PROGRAMMABLE SET-POINTS
- INSTANT MOUNTING
- EXTREMELY EASY TO BE USED
- LINEARITY and HYSTERESIS  $\leq \pm 0.20\%$



Linearity - Hysteresis

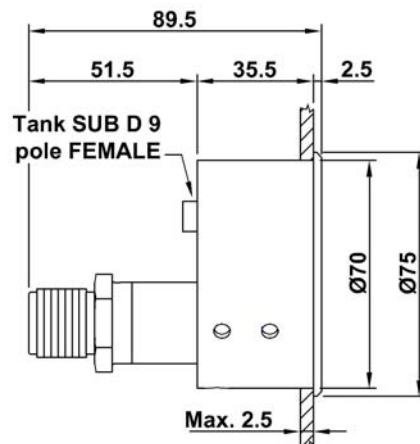


For highly dynamic stresses.

**Standard indications**

| Pressione<br>Pressure | Display (bar) |        | Risolu.<br>Resol. |
|-----------------------|---------------|--------|-------------------|
|                       | Positive      | Vacuum |                   |
| 1 bar                 | 1,000         | -1,000 | 0,001             |
| 2,5 bar               | 2,500         | -1,000 | 0,001             |
| 5 bar                 | 5,000         | -1,000 | 0,001             |
| 10 bar                | 10,00         | /      | 0,01              |
| 20 bar                | 20,00         | /      | 0,01              |
| 50 bar                | 50,00         | /      | 0,01              |
| 100 bar               | 100,0         | /      | 0,1               |
| 250 bar               | 250,0         | /      | 0,1               |
| 350 bar               | 350,0         | /      | 0,1               |
| 500 bar               | 500,0         | /      | 0,1               |
| 700 bar               | 700,0         | /      | 0,1               |
| 1000 bar              | 1000          | /      | 1                 |
| 1500 bar              | 1500          | /      | 1                 |
| 2000 bar              | 2000          | /      | 1                 |

**Dimensions mm**



## Technical Data



|   |   |
|---|---|
| RELATIVE PRESSURE (R)                                 | 1 - 2.5 - 5 - 10 - 20 bar<br>50 - 100 - 250 - 350 - 500 bar<br>700 - 1000 - 1500 - 2000 bar |
| LINEARITY and HYSTERESIS                              | ≤ ± 0.20 %  |
| INTERNAL RESOLUTION                                   | ±10.000 div.  |
| READINGS PER SEC                                      | 50 (20ms)   |
| REFERENCE TEMPERATURE                                 | +23°C   |
| WORKING TEMPERATURE RANGE                             | 0/+50°C   |
| STORAGE TEMPERATURE RANGE                             | -10/+60°C   |
| TEMPERATURE EFFECT (1°C)                              |   |
| a) on zero  | ≤ ± 0.002%  |
| b) on sensitivity                                     | ≤ ± 0.002%  |
| PROGRAMMABLE SET POINTS                               | 2   |
| PROGRAMMABLE HYSTERESIS                               | 2   |
| ZERO FUNCTION   | 50%   |
| PEAK FUNCTION   | Pos. (+) and Neg. (-)   |
| PROGRAMMABLE DIGITAL FILTER                           | 0 ÷ 99  |
| PROGRAMMABLE RESOLUTION                               | 1, 2, 5, 10   |
| RELAY OUTPUT (set point)                              | 2   |
| ELECTRICAL FEATURES                                   | Max. 24 Vdc, 1A, Loading resistance   |
| DISPLAY   | LCD   |
| DISPLAY HEIGHT  | 9 mm  |
| POWER SUPPLY  | 15/24Vdc or 12Vac   |
| MAX. ABSORPTION                                       | 5VA   |
| MECHANICAL LIMIT VALUES REFERRED TO NOMINAL PRESSURE: |   |
| a) service pressure                                   | 100%  |
| b) max. permissible pressure                          | 150%  |
| c) breaking pressure                                  | >300%   |
| d) highly dynamic pressure                            | 75%   |
| CASE DIAMETER   | 70 mm   |
| STANDARD PROCESS COUPLING                             | 1/4" Gas / BSP MALE   |
| TIGHTENING WRENCH                                     | 27mm  |
| TIGHTENING TORQUE                                     | 28Nm  |
| PROTECTION CLASS (EN 60529)                           | IP65 (front panel)  |
| SENSOR EXECUTION MATERIAL                             | INOX 17-4 PH  |
| CASE EXECUTION MATERIAL                               | ABS   |
| ELECTRICAL CONNECTION                                 | Tank SUB D 9 poles FEMALE   |

## Options

|                  |                             |
|------------------|-----------------------------|
| VACUUM (V) range | (-1/+1) (-1/+2) (-1/+5) bar |
|------------------|-----------------------------|

Digital pressure gauge :

CODE:

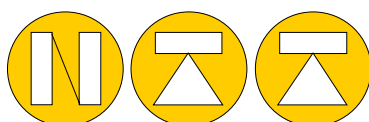
**TDME**

**Nominal pressure**

|     |      |      |
|-----|------|------|
| 1B  | 50B  | 700B |
| 2B5 | 100B | 1KB  |
| 5B  | 250B | 1KB5 |
| 10B | 350B | 2KB  |
| 20B | 500B |      |

Vacuum calibration :

**TDMMV**



**NORDIC TRANSDUCER**



Dasa-Rägister  
EN ISO 9001 (1994)  
IQ-1100-01

**Distributor:**

Als Odde DK-98560 Hadsund Denmark Tel. +45 98581444 Fax. +45 98581866  
E-mail: [transducer@ntt.dk](mailto:transducer@ntt.dk) Internet: <http://www.ntt.d>

*In order to improve the technical performances of the product, the company reserves the right to make any change without notice.*