

Digital gauges belonging to DMC series, represent the most practical and economical way of performing pressure measurements acquainting good levels of accuracy and reliability.

The sensitive element in contact with pressure has been made from a monolithic structure, without any assembling via tight rings, gaskets or welds, thus guaranteeing a high long-term stability, with negligible hysteresis and zero drift.

The digital part of this pressure gauge consists of a microprocessor which manages acquisition of filtered data and shows it on the LCD display.

The digital pressure gauge is supplied with an internal battery with 1 year autonomy, guaranteed by AUTO SWITCH-OFF function, which activates if no changes in measurements are detected in the previous programmable minutes (from 1 to 30).

This digital pressure gauge finds its specific utilization in manifold industrial fields: pneumatic, hydraulic, food process controlling, refrigeration systems (depression), test benches and for materials testing machines.

DMC, with a SIT certificate, can serve as a valuable first line pressure sample.



CE

Pressure:
 $\leq \pm 0.20\%$

Linearity - Hysteresis

Temperature:
 $5 \div 50 \pm 1^\circ\text{C}$

Optional



For highly dynamic stresses



SIT certificate on request

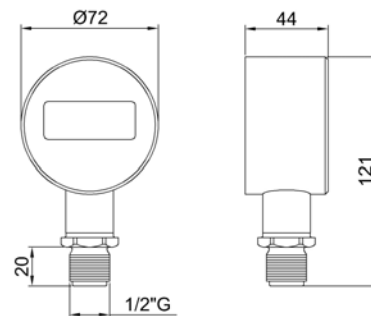
Main features:

- **RELATIVE PRESSURE:**
- From 1 to 2000 bar ($\pm 0.20\%$).
- **TEMPERATURE (OPTIONAL):**
- From 5 to 50 °C (1°C resolution).
- 1 YEAR AUTONOMY
- WITHOUT RECHARGING.
- INTERNAL BATTERY.
- HIGH RELIABILITY.
- HIGH RESISTANCE AGAINST SHOCKS.
- 50 CONVERSIONS PER SECOND.
- PROTECTION CLASS: **IP65**.
- BUILT-IN CASE (optional).

Standard indications

Pressure	Display (bar)		
	Positive	Vacuum	Resol.
1 bar	1,000	-1,000	0,001
2,5 bar	2,500	-1,000	0,001
5 bar	5,000	-1,000	0,001
10 bar	10,00	/	0,01
20 bar	20,00	/	0,01
50 bar	50,00	/	0,01
100 bar	100,0	/	0,1
250 bar	250,0	/	0,1
350 bar	350,0	/	0,1
500 bar	500,0	/	0,1
700 bar	700,0	/	0,1
1000 bar	1000	/	1
1500 bar	1500	/	1
2000 bar	2000	/	1

Dimensions mm



Technical Data



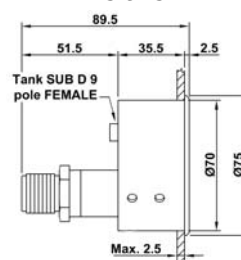
RELATIVE PRESSURE (R)	1 - 2.5 - 5 - 10 - 20 bar 50 - 100 - 250 - 350 - 500 bar 700 - 1000 - 1500 - 2000 bar
LINEARITY and HYSTERESIS	≤ ± 0.20 %
INTERNAL RESOLUTION	10.000 div.
READINGS PER SECOND	50 (20 ms)
REFERENCE TEMPERATURE	+23°C
WORKING TEMPERATURE RANGE	0/+50°C
STORAGE TEMPERATURE RANGE	-10/+60°C
TEMPERATURE EFFECT (1°C)	
a) on zero	≤ ± 0.002%
b) on sensitivity	≤ ± 0.002%
ZERO FUNCTION	50%
PROGRAMMABLE DIGITAL FILTER	0 ÷ 99
PROGRAMMABLE RESOLUTION	1, 2, 5, 10
PEAK FUNCTION	Pos. (+) and Neg. (-)
PROGRAMMABLE AUTO POWER OFF	From 1 to 30 min.
POWER SUPPLY	BATTERY
AUTONOMY	1 ANNO / YEAR
LITHIUM BATTERY	3.6V size 2/3 AA
DISPLAY	LCD
DISPLAY HEIGHT	9 mm
CONTRAST ADJUSTMENT	Yes
MECHANICAL LIMIT VALUES REFERRED TO NOMINAL PRESSURE :	
a) service pressure	100%
b) max. permissible pressure	150%
c) breaking pressure	>300%
d) highly dynamic pressure	75%
STANDARD PROCESS COUPLING	1/2" Gas / BSP MALE
RECOMMENDED GASKET	USIT A 63-18
TIGHTENING WRENCH	27mm
TIGHTENING TORQUE	28Nm
PROTECTION CLASS (EN 60529)	IP65
SENSOR EXECUTION MATERIAL	INOX 17-4 PH
CASE EXECUTION MATERIAL	A Aluminium

Options



ALUMINIUM BUILT-IN CASE
HOLE GAUGE: Ø 71 mm
PROTECTION CLASS (EN60529):
IP65 (front panel)
EXTERNAL POWER SUPPLY (12 o 24 Vdc)

DIMENSIONS mm



VACUUM (V) range	(-1/+1) (-1/+2) bar
TEMPERATURE	From 5 to 50 °C
RESOLUTION	1°C
ACCURACY CLASS	±1°C

Digital pressure gauge :

Vacuum calibration :

Temperature :

Built-in case :

CODE:

TDMC

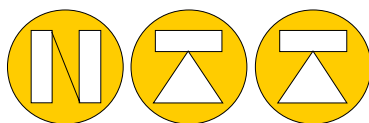
Nominal pressure

1B	50B	700B
2B5	100B	1KB
5B	250B	1K5B
10B	350B	2KB
20B	500B	

TDMMV

TEMPDMC

TCINC



NORDIC TRANSDUCER

Als Odde DK-98560 Hadsund Denmark Tel. +45 98581444 Fax. +45 98581866

E-mail: transducer@ntt.dk Internet: <http://www.ntt.dk>



Dasa-Rägister
EN ISO 9001 (1994)
IQ-1100-01

Distributor: