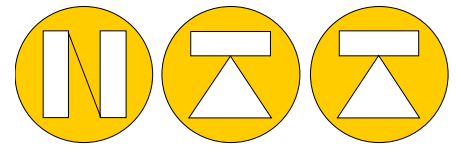


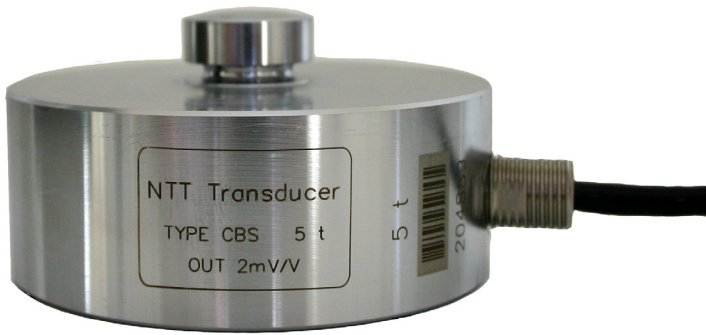


CBS-82 low profile load cell



NORDIC TRANSDUCER

IP68



LOW PROFILE COMPRESSION LOAD CELLS

CBS-82 with Load head



CBS-82 with bottom plate

Capacities from 500kg to 10ton at same size = Ø 82mm !
For perfect usage in:
° Platform scales ° Hopper / Silo weighing ° Other force measuring applications

The **CBS-82** is a very low profile hermetical sealed load cell made in stainless steel with IP68 protection grade.

Their compact size makes them ideally suited for applications where space also is limited.

Mounting plates and top load heads can be supplied as shown up to 10 ton, or a complete weighing unit **CBS-SM82** also as shown above (please look at separate information CBS-SM82)

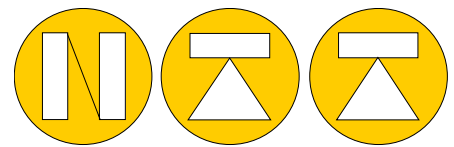
NOMINAL LOAD	500kg-1-2.5-5-7.5-10t	a) minimum load	0%
MINIMUM RANGE	20%	b) service load	120%
COMBINED ERROR	< +/- 0.030%	c) max. permissible load	150%
NON REPEATABILITY	< +/- 0.011%	d) breaking load	>300%
ZERO DRIFT 30 MIN	< +/- 0.030%	e) max. side load	50%
TEMPERATUR EFFECT 10°C		f) max. dynamic load	50%
on zero	< +/- 0.025 %	DISPLACEMENT N.LOAD	0.06mm
on span	< +/- 0.020 %	NOMINAL TEMP. RANGE	- 10/+40 °C
NOMINAL SENSITIVITY +/-0.1%	2mV/Volt	SERVICE TEMP. RANGE	-20/+70 °C
INPUT RESISTANCE	700 Ohm +/-3	PROTECTION CLASS	IP68
OUTPUT RESISTANCE	700 Ohm +/-3	WEIGHT	1.165 kg
ZERO BALANCE	+/- 1%	CELL MATERIAL	Stainless steel
SUPPLY VOLTAGE N.10V	2 - 15 Volt	CABLE LENGTH	5 meter

Cable: PVC 105°C Ø6.5mm with 4 tinned conductors Ø 0.35mm² and tinned shield
All specifications subject to change without notice

Nordisk Transducer Teknik

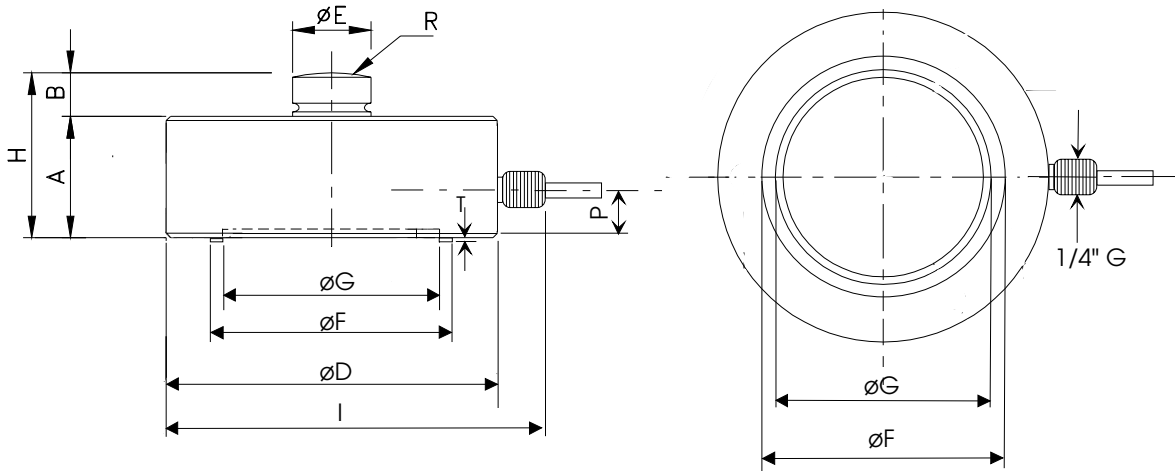


DIMENSIONS : CBS-82



NORDIC TRANSDUCER

DIMENSIONS CBS-82 LOAD CELL:

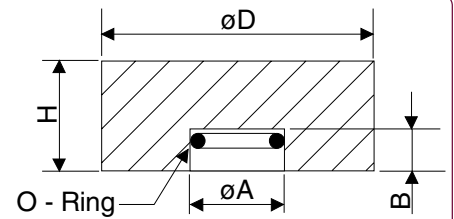


CODE	LOADS	A	B	ϕD	ϕE	ϕF	ϕG	H	I	P	R	T
CBS-82	*X	32	12	82	22	60	54	44	95	14	50	0,3

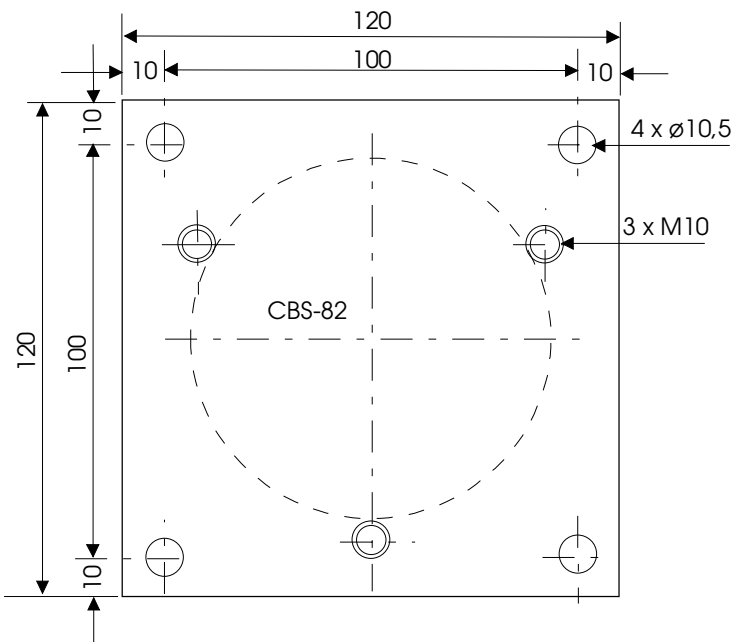
*X = SAME FOR ALL CAPACITIES FROM 250kg to 10t

A top load head can also be supplied for C2S-82 100kg to 10t:

CODE	LOADS	ϕD	H	ϕA	B
TIC22	500kg - 10t	57	24	23	9



CBS120-82 BASE PLATE



14.5mm stainless steel

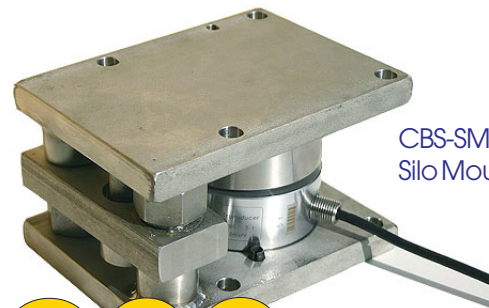
LOAD CELL STANDARD CABLE

INPUT+	RED
INPUT-	BLACK
OUTPUT+	WHITE
OUTPUT-	YELLOW
SHIELD	

The use of top Load Heads and mounting plates as shown are recommended for the elimination of the effects of side forces and for smaller non angular forces from "non level" legs and so !

For bigger side load will 2-4mm space between top load head and legs/mountings be recommended, or use CBS-SM82 where bigger forces are involved !

Please ask for further NTT informations on this !!



CBS-SM82 Silo Mount



Nordic Transducer

Als Odde, DK-9560 Hadsund Denmark

Ph.: +45 98581444, Fax.: +45 98581866

E-mail: ntf@ntt.dk WEB: www.ntt.dk