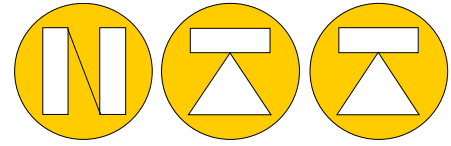




CBS-126 low profile load cell

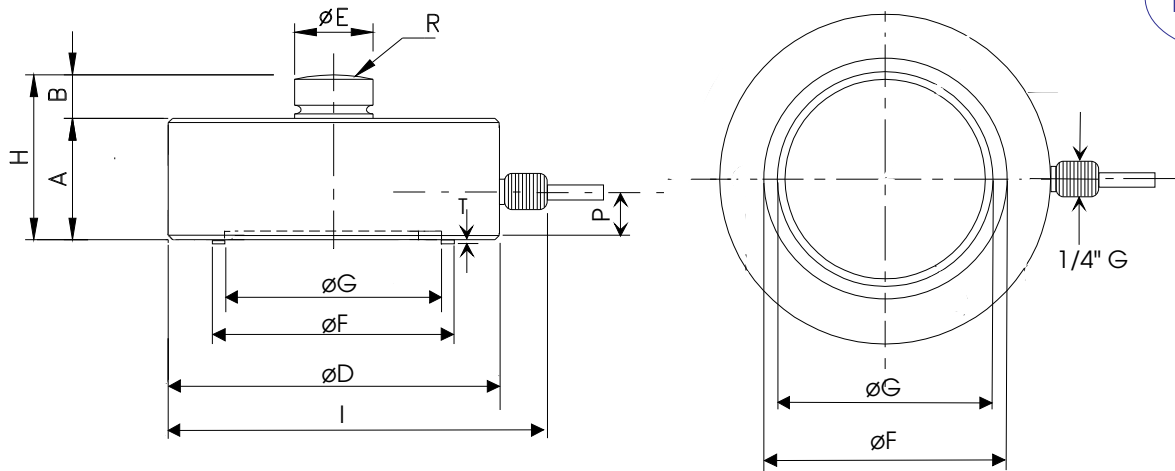


NORDIC TRANSDUCER

SPECIFICATIONS: CBS-126 LOAD CELL:

NOMINAL LOAD	20t & 30t	a) minimum load	0%
MINIMUM RANGE	20%	b) service load	120%
COMBINED ERROR	< +/- 0.033%	c) max. permissible load	150%
NON REPEATABILITY	< +/- 0.011%	d) breaking load	>300%
ZERO DRIFT 30 MIN	< +/- 0.030%	e) max. side load	50%
TEMPERATUR EFFECT 10°C		f) max. dynamic load	50%
on zero	< +/- 0.050 %	DISPLACEMENT N.LOAD	0.16mm
on span	< +/- 0.030 %	NOMINAL TEMP. RANGE	- 10/+40 °C
NOMINAL SENSITIVITY +/-0.1%	2mV/Volt	SERVICE TEMP. RANGE	-20/+70 °C
INPUT RESISTANCE	700 Ohm +/-3	PROTECTION CLASS	IP68
OUTPUT RESISTANCE	700 Ohm +/-3	WEIGHT	3.8 kg
ZERO BALANCE	+/- 1%	CELL MATERIAL	Stainless steel
SUPPLY VOLTAGE N.10V	2 - 15 Volt	CABLE LENGTH	5 meter

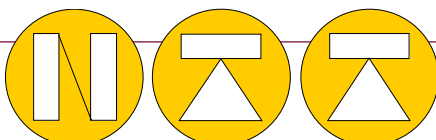
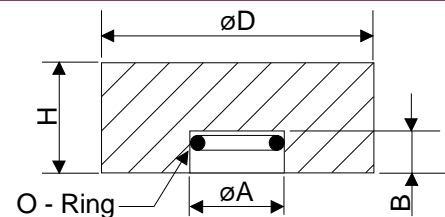
DIMENSIONS CBS-126 LOAD CELL:



CODE	LOADS	A	B	øD	øE	øF	øG	H	I	P	R	T
CBS-126	20-30t	40	14	126	35	77.3	52.3	54	137	14	160	0,5

A top load head can also be supplied for CBS-126

CODE	LOADS	øD	H	øA	B
TIC35	20 -30tont	76	30	36	12,5



NORDIC TRANSDUCER

Als Odde, DK-9560 Hadsund Denmark
 Ph.: +45 98581444, Fax.: +45 98581866
 E-mail: ntf@ntf.dk WEB: www.ntf.dk