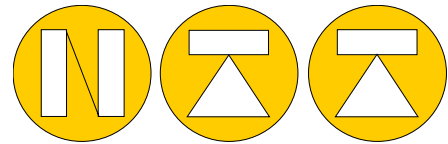


CBS-SM82 silo mount for 100kg to 10 ton C2S-82 & CBS-82

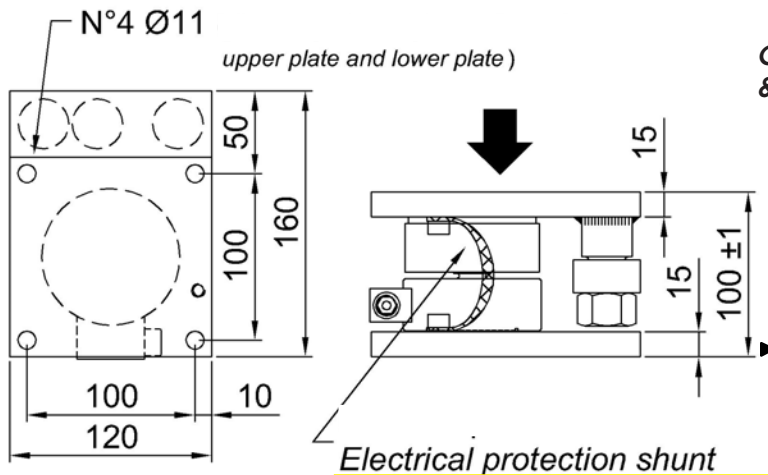
This **CBS-SM82** weighing unit is constructed throughout in (AISI 304) stainless steel, and design to facilitate the installation of weighing and batching systems, in silos, bins and platform scales where 100% control are wanted over mechanical connection to the load cells.

This weighing unit is equipped with **Automatic Load Alignment** and **Transverse Shift Compensation** system to ensure **Excellent Measurement Performance** even in case of settling, thermal expansion, positioning error and structural deformations.

To function correct the mount must be fastened both into the floor and to the silo legs



NORDIC TRANSDUCER

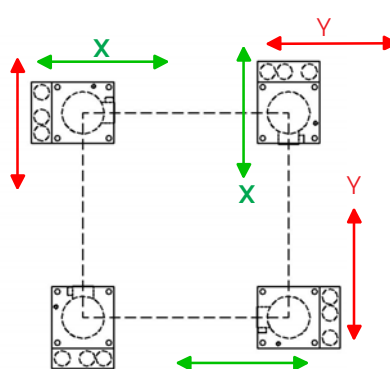
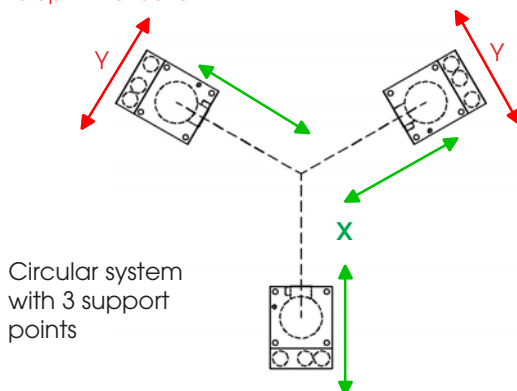


CBS-SM82 can be used both for C2S-82 & CBS-82 load cells

Same dimensions for all capacities from 250kg til 10t

Same measurements for all capacities from 100kg to 10t

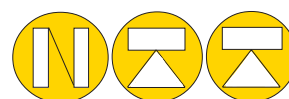
Stop in Y direction



Square system with 4 support points

Material: Stainless steel	AISI 304
Weight (with load cells)	8.0kg
Max. lateral shift (X axis)	+/-10mm
Max. Inclination	+/-5°
Anti-tipping system	yes
Retainer tie-rod	yes
Automatic load alignment	yes
Transverse shift compensation	yes

All specifications subject to change without notice

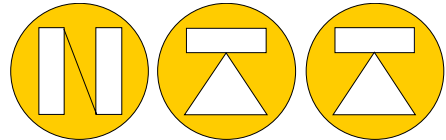
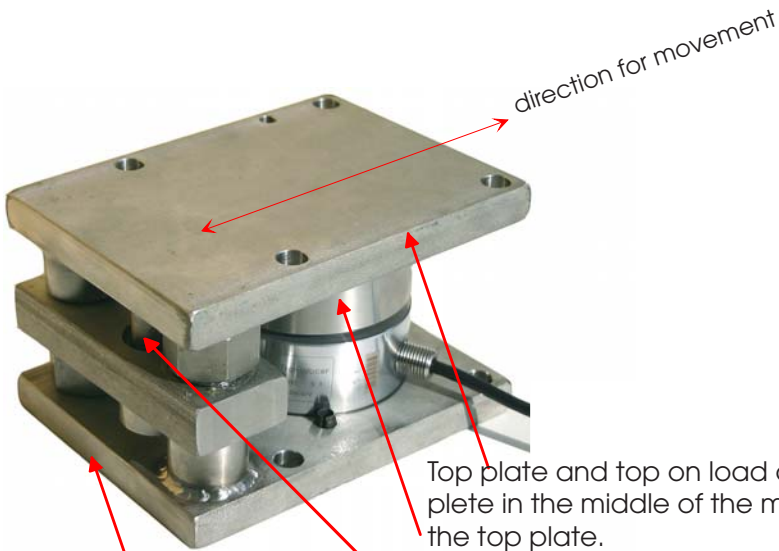


Nordic Transducer

Als Odde, DK-9560 Hadsund Denmark

Tel.: +45 98581444, Fax.: +45 98581866

E-mail: ntt@ntt.dk WEB: www.ntt.dk

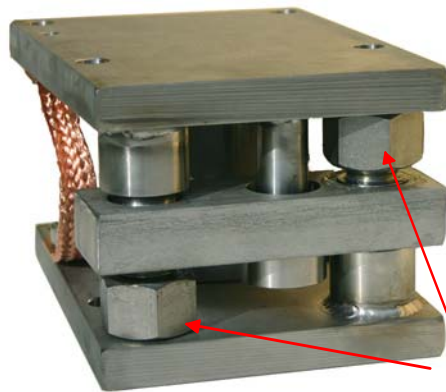


NORDIC TRANSDUCER

Top plate and top on load cell must be corrected complete in the middle of the mount before fixing silo legs to the top plate.

Upwards stop must stand complete in the middle of the hole at first time mounting.

The bottom plate must be mounted on the floor complete level and be mounted so that when the system is finish installed, the top and bottom plates shall follow each other parallel on all sides .

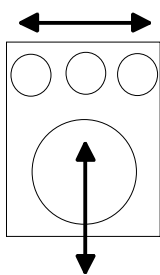


When top and bottom plates are correct fastened, then it is possible to lift the whole mount up to exchange a load cell.

Lift the weighing unit upper plate by alternatively unscrewing the two lifting jacks (big nuts) so the upper plate never get inclined. Replace the load cell. Screw the two jacks back in order to get the top plate to rest again on the load cell.

4 load cells

Stop in this direction

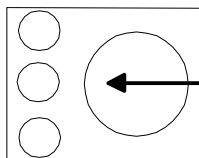


The mount can move approx. 10mm in this direction

The two nuts must under normal use be tighten down/up towards the middle stop bar.

The mount must be placed in the directions as shown here so the one which can move point against the longitudinal stop direction.

Stop in this direction



The mount can move approx. 10mm in this direction

Standard cable connections

- Supply load cells + red
- Supply load cells - black
- signal from load cell + white
- signal from load cell - yellow

shield is not connected to load cell body

Nordic Transducer

Als Odde, DK-9560 Hadsund Denmark
 Tel.: +45 98581444, Fax.: +45 98581866
 E-mail: ntt@ntt.dk WEB: www.ntt.dk